

Empulse R20 Compatibility Guide



Wheelchair brand / model	Docking	Wheelchair brand / model	Docking
Sunrise Medical		Meyra	
Breezy UniX ²	B	Service 3.600	B
Breezy PariX ²	B	Budget	B
Breezy BasiX ²	B	Avanti	B
Breezy RubiX ²	B	Avanti Pro	B
Breezy RubiX ² Comfort	B	Solero light	B
Breezy HeliX ²	B	S3 Swing	B
Breezy HeliX ² Comfort	B	Eurochair family	B
Breezy Relax ²	B	Smart F & S	B
Breezy Cirrus G5	B	Invacare*	B
Breezy Cirrus G5 Base	B	Rea Clematis	B
Breezy Ibis	C	Rea Azalea Family	B
Breezy Emineo	B	Rea Dahlia	B
Breezy Exigo 10 / 20 / 30	B	Action 1 / 2 / 3 / 4 / 5	B
Breezy Premium	B	Action XT	B
Breezy 250	B	Rea Focus	B
Breezy 300	B	XLT	B
Breezy Style	B	Drive	
Breezy Style X / X Ultra	B	Litec / Litec 2G / Litec 2G Plus	B
Quickie Life	A/B	Freetec	B
Quickie Life i	A/B	Ecotec / Ecotec 2G	B
Sapur Life Eco	A/B	Rotec / Rotec XL	B
Quickie Life T	A/B	Vassilli	
Quickie Life R	A/B	VARIO Plus	B
Quickie Life RT	A/B		
Quickie Easy 200	A/B		
Quickie Easy 300	A/B		
Quickie Neon ²	B		
Zippie Youngster	B		
Lomax Uni	B		
Lomax Heavy Duty	B		

Please note: The above list is an indication of wheelchair models the R20 can be mounted on. However year of build, frame shape, back accessories, connecting bars between the side frame, frame accessories are of influence. Therefore it is essential to try and test it to be 100% sure! Or ask your supplier for advice. The compatibility guide only shows wheelchairs with a signed combination agreement. Find docking information on the next page.

*Only with drumbrake

Empulse R20

Docking Information

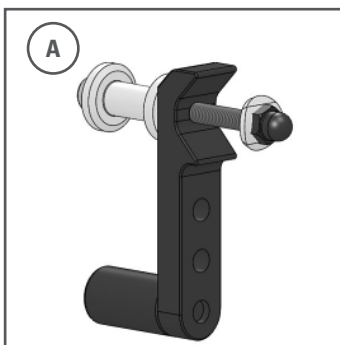
The R20 folding push device easily fits on almost all common manual wheelchairs with the following dimensions:

Box frame or similar frame type with round tubes diameter 22 - 28 mm. For frame tube diameter 30 mm a special kit can be ordered.

Seat width 320 - 600 mm

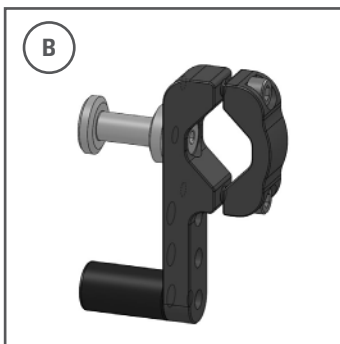
Rear seat height > 380 mm

Long or height adjustable push handles to attach the operating unit – straight free space minimum 10 mm.



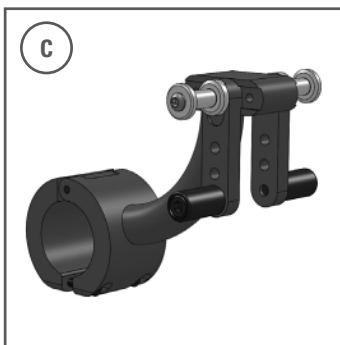
A Screw version:

Requires an existing horizontal hole in the frame tube. In general used with Sunrise Medical active wheelchairs made in Malsch (Easy 200/300/Life/Life i/Life Eco). As well for X-Family wheelchairs like PariX², BasiX², RubiX², HeliX² & HeliX² Comfort, just replace the cross brace clip.



B Clamp version:

Will be clamped to the lower frame tube. In general used for all wheelchairs except Breezy Ibis and active wheelchairs. (Standard e.g. for X-Family wheelchairs)



C Clamp version for Breezy Ibis only:

Will be clamped to the centre of the lower frame tube.